



FE168NS

Features

FE168NS is a brand new full range speaker unit succeeding FE-SOL series with Fostex own development philosophy and engineering technology. Featuring 2-layer cone paper and external magnetic circuit with low distortion ferrite magnet, the volume and richness are well balanced and it offers high quality sound with wide frequency range.

- * 2-layer cone paper
- * Large ferrite magnetic circuit
- * High rigidity aluminum die cast frame
- * High Compliance Corrugation Damper
- * 3-point bonding method
- * Fasten #205 gold plated terminal

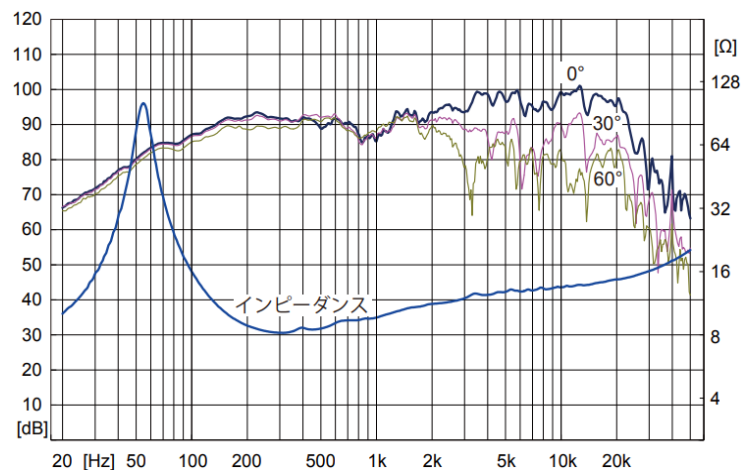


Specifications & Thiele/Small Parameters

Size	: 160 mm / 6.3"
Voice Coil Diameter	: 25 mm / 1"
Frame Material	: Cast
Impedance	: 8Ω
Reproduction Frequency Response	: fs to 20kHz
Sound Pressure Level	: 90.5 dB/W(1m)
Rated Input	: 20W
Music Power	: 60W
Magnet Material	: Ferrite
Magnet Weight	: 720g / 1.587lb (main) : n/a (cancel)
Net Weight	: 2,280g / 5.026lb

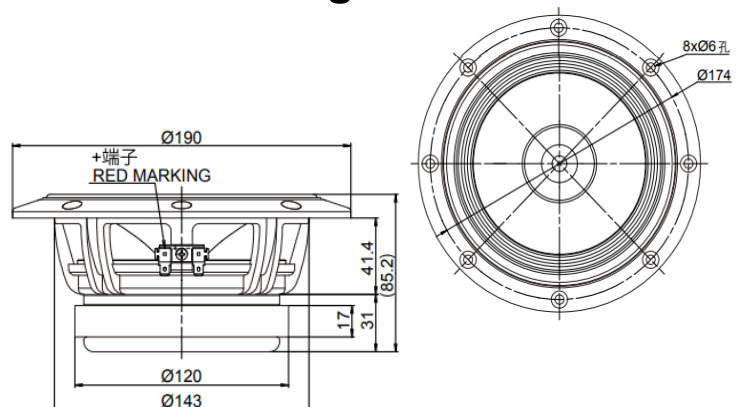
a	: 64 mm
D	: 128 mm
Sd	: 128.61 m ²
Zn	: 8 Ω
Fs	: 60 Hz
Re	: 7.1 Ω
Le	: 0.18 mH
Qms	: 7.3
Qes	: 0.4
Qts	: 0.39
Mms	: 8.5 g
BL	: 7.4 Tesla/m
Vas	: 19.5 L
Xmax	: 2.2 mm
Eff/n0	: 0.0103 %
Cms	: 0.83 mm/N
EBP	: 150

Frequency Response



Dimensions

/ Mounting Information



Overall Diameter	: 190mm / 7.5"
Baffle Hole Diameter	: 151mm/6"
Depth	: 72.4mm/2.86"