

FE83En

Features

- ES cone and center cap are adapted. This new diaphragm material has the fine, supple and high density fiber, and its characteristics successfully improve the mid-high frequency reproduction.
- ϕ 60mm strong ferrite magnet is employed.
- Well tuned Qts / Mms values for ease of use in small bass reflex type enclosures to folded horn enclosures.

Specifications

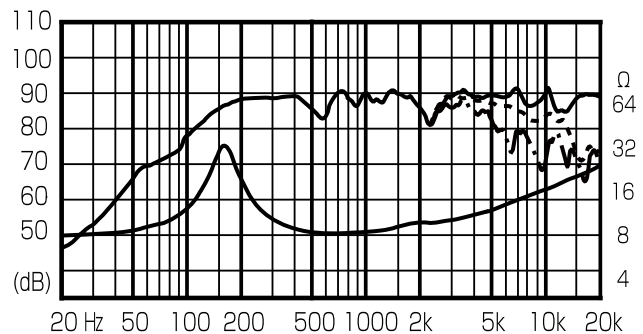
& Thiele/Small Parameters

Size	:	80 mm / 3 in
Voice Coil Diameter	:	16 mm / 0.6 in
Cast / Stamped	:	Cast
Impedance	:	8 Ω
Reproduction Frequency Response	:	fs - 30 kHz
Sound Pressure Level	:	88 dB/W(m)
Rated Input	:	5 W
Music Power	:	7 W
Magnet Material	:	Ferrite
Magnet Weight	:	
(main)	:	140 g / 0.309 lb
(cancel)	:	g / lb
Net Weight	:	350 g / 0.772 lb

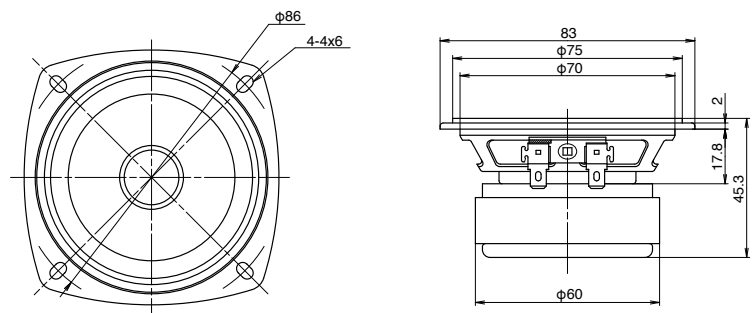
a	:	30 mm
D	:	60 mm
Sd	:	0.00283 m ²
Zn	:	8 Ω
Fs	:	165 Hz
Re	:	7.5 Ω
Le	:	0.0267 mH
Qms	:	4.06
Qes	:	1.057
Qts	:	0.84
Mms	:	1.53 g
BL	:	3.35 Telsa/m
Vas	:	0.7 L
Xmax	:	0.15 mm
Eff/ η 0	:	0.284 %
Cms	:	0.622 m/N
EBP	:	156.1



Frequency Response / Impedance

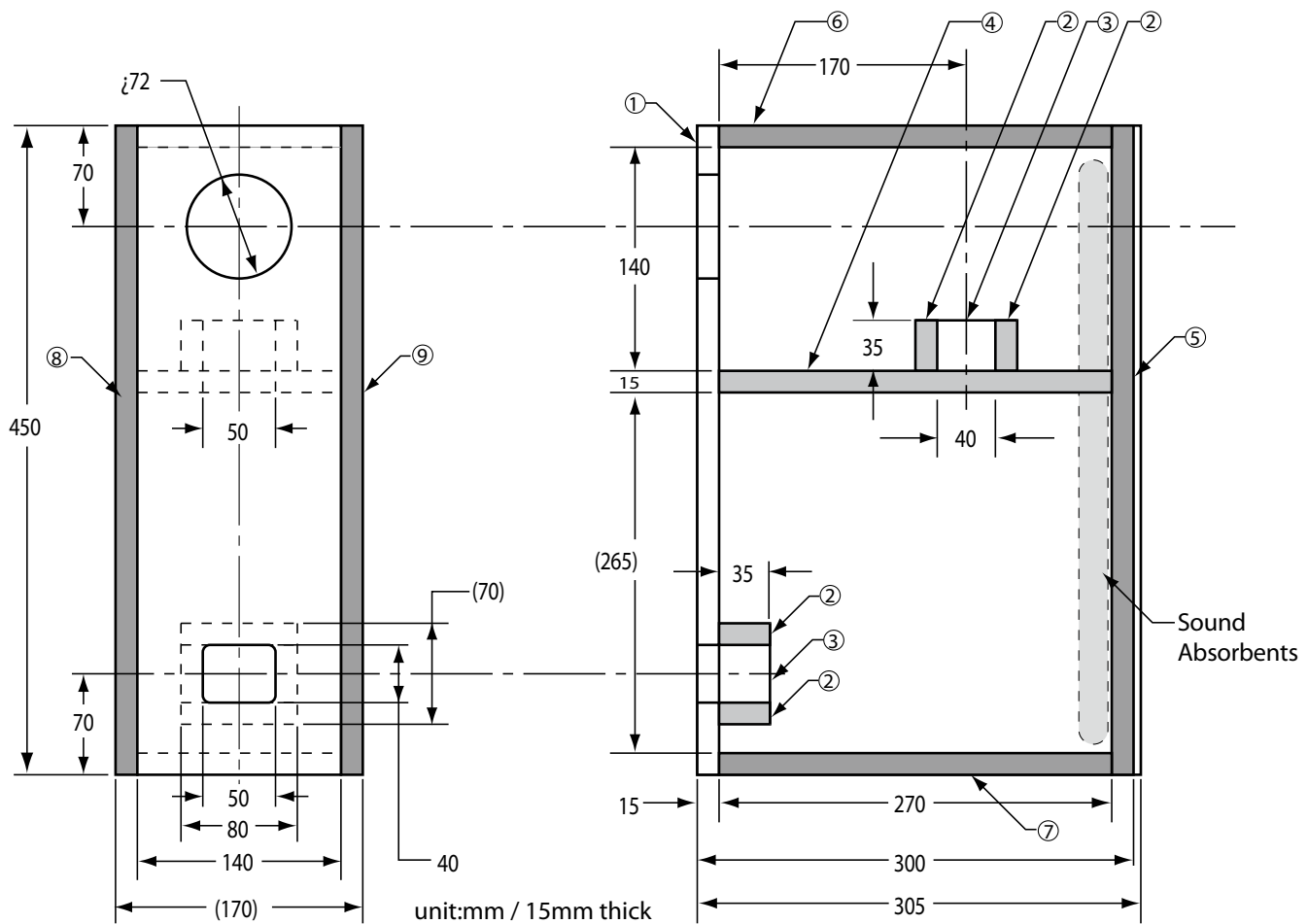


Dimensions & Mounting Information

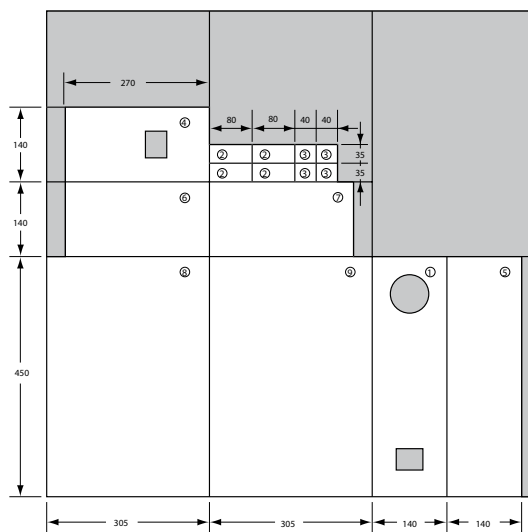


Overall Diameter	:	83 mm / 3.3 in
Baffle Hole Diameter	:	70 mm / 2.8 in
Depth	:	44 mm / 1.7 in

Recommended Double Bass Reflex Type Enclosure

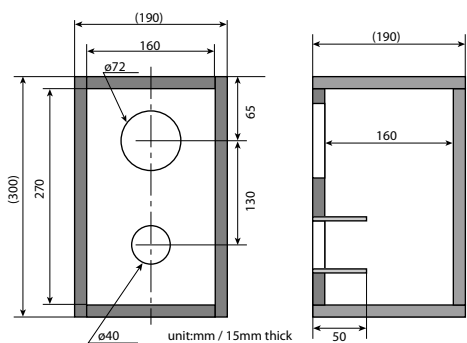


- This example shows a double bass reflex type enclosure for FE83En.
- The multiple bass reflex ports reproduce lower frequency.
- The first port 'Fb' is tuned to 127Hz and second port to 60Hz.
- Balanced low frequency tuning for high power handling.



Recommended Standard Bass Reflex Type Enclosure

Example of FE83En standard bass reflex type enclosure. Internal volume is 6 liters tuned to approximately 90Hz (Fb).



Fostex

Distributor / Authorised Dealer

www.fostex.jp

Fostex Co. 3-2-35 Musa shino, Akishima, Tokyo, Japan 196-0021
Tel: +81(0)42-546-4974 Fax: +81(0)42-546-9222

In accordance with our policy of continuous development, we reserve the right to change specifications without notice.

Printed in China 499987