

FE103E

Features

- 'ES cone' paper made of banana plant's fiber
- Newly designed center cap
- Ferrite magnet



Specifications

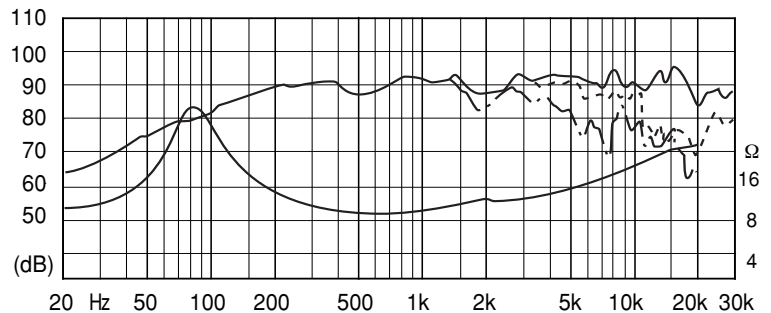
&

Thiele/Small Parameters

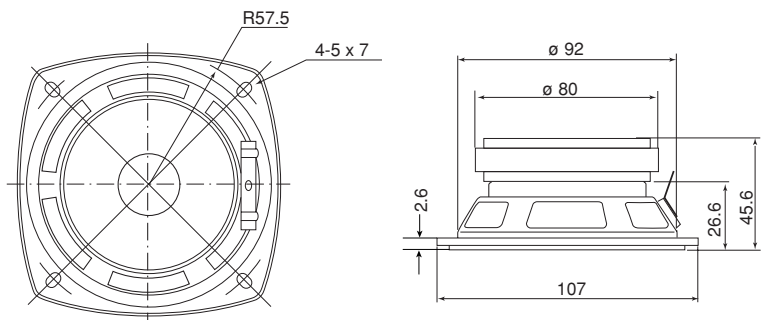
Size	:	100 mm / 4 in
Voice Coil Diameter	:	20 mm / 0.8 in
Cast / Stamped	:	Stamped
Impedance	:	8 Ω
Reproduction Frequency Response	:	fs - 22 kHz
Sound Pressure Level	:	89 dB/W(m)
Rated Input	:	5 W
Music Power	:	15 W
Magnet Material	:	Ferrite
Magnet Weight	:	
(main)	:	193 g / 0.425 lb
(cancel)	:	g / lb
Net Weight	:	630 g / 1.389 lb

a	:	40 mm
D	:	80 mm
Sd	:	0.00503 m ²
Zn	:	8 Ω
Fs	:	79.5 Hz
Re	:	7.45 Ω
Le	:	n/a mH
Qms	:	2.87
Qes	:	0.40
Qts	:	0.36
Mms	:	2.10 g
BL	:	4.42 Telsa/m
Vas	:	6.90 L
Xmax	:	0.35 mm
Eff/η0	:	0.83 %
Cms	:	0.00194 mm/N
EBP	:	199

Frequency Response / Impedance



Dimensions & Mounting Information



Overall Diameter	:	107 mm / 4.2 in
Baffle Hole Diameter	:	80 mm / 3.1 in
Depth	:	45.6 mm / 1.8 in