



Speaker Box

P800-E/P1000-E

Thank you for purchasing the Fostex P800-E / P1000-E speaker enclosure kit.

Please read this manual thoroughly and use the product in the correct way.

Main Features

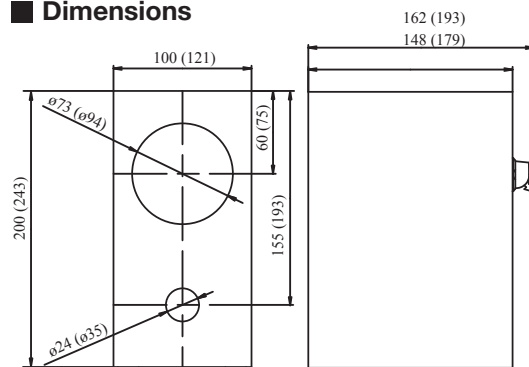
The P800-E/P1000-E is a bass reflex speaker enclosure kit that you can readily enjoy the beauty of full-range speaker system. The kit comes with "terminals, internal wirings and sound absorption material already built in." The assembly process is so simple that all what you do is connecting the internal wirings to the speaker driver and fitting the driver to the enclosure with the screws included.

Specifications

Specifications

	P800-E	P1000-E
Type	Bass reflex	Bass reflex
Dimensions	100 (W) x 200 (H) x 148 (D) mm	121 (W) x 243 (H) x 179 (D) mm
Internal Volume	1.86 L	3.60 L
Tuned Frequency	101 Hz	82 Hz
Board thickness/Material	t9 / Particle board	t9 / Particle board
Finish	Rose wood	Rose wood
Total weight	About 0.80 kg	About 1.15 kg
Baffle hole diameter	ø73 mm	ø94 mm
Suitable speaker driver	P800K, FF85WK, FE83En	P1000K, FF105WK, FE103En

Dimensions



※ Figures in parentheses indicate the ones of P1000-E.

Assembly

1. Before starting

The following items are necessary besides the speaker enclosure.

- Speaker drivers (sold separately)
- Accessories (The kit includes 4 x wood screws and 4 x washers.)
- Philips type screw driver (No. 2 size)

[Note]: Only use the wood screws that come with the kit. Problem may occur when fitting the speaker driver if over sized screws are used.

2. Screw hole preparation

First, place the speaker driver to the baffle hole and mark 4 screw positions with a marker pen as shown in the Fig. 1.

Remove the speaker driver once. Then, tighten the screws half way at the marked positions. You may use a thin awl to open screw holes for ease of mounting screws.

By doing so will make the baffle surface slightly protruded.

Grind down the burr as shown in the Fig. 2.

Since the baffle wood is quite hard, we highly recommend you first prepare the screw holes before fitting the speaker driver.

3. Fitting the speaker driver

Remove the half way tighten screws.

Connect the internal wirings to the speaker driver.

Place the speaker driver to the baffle hole and tighten the screws.

Assembly is now completed.

Fig. 1

Mark 4 screw positions with a marker pen.

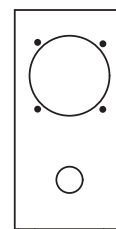
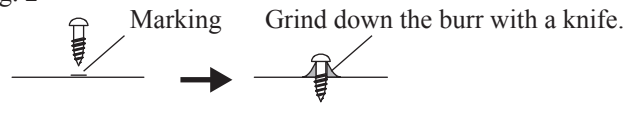


Fig. 2

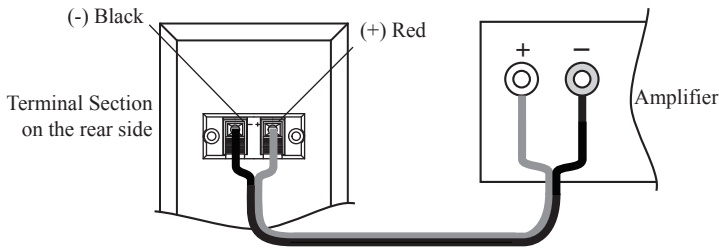


[Caution] Be very careful not to damage the speaker driver cone and surrounding by misuse of screw driver.

Cable Connection

Connect speaker cables between the enclosure terminals and an amplifier according to the terminal color (Red: + and Black: -).

It is recommended to use high grade speaker cables.

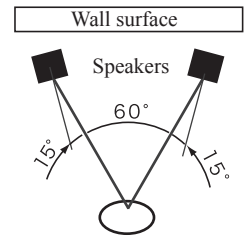


Placing the Speakers

Place the speakers on the firm and secure surface.

Angle the speakers approx. 15 degree towards the listening position.

It is good to place the speakers at the height of listeners' ears.



Maintenance

If the speaker enclosures get some dirt, wipe gently using dry soft cloth. If there is a splash of water by accident, quickly wipe off with dry cloth.

CAUTION

RISK OF ELECTRIC SHOCK
DO NOT OPEN



CAUTION: TO REDUCE THE RISK OF ELECTRIC SHOCK,
DO NOT REMOVE COVER (OR BACK).
NO USER - SERVICEABLE PARTS INSIDE.
REFER SERVICING TO QUALIFIED SERVICE PERSONNEL.



The lightning flash with arrowhead symbol, within an equilateral triangle, is intended to alert the user to the presence of uninsulated "dangerous voltage" within the product's enclosure that may be of sufficient magnitude to constitute a risk of electric shock to persons.



The exclamation point within an equilateral triangle is intended to alert the user to the presence of important operating and maintenance (servicing) instructions in the literature accompanying the appliance.

WARNING:

To reduce the risk of fire or electric shock, do not expose apparatus to rain or moisture.

Avertissement:

Pour réduire le risque d'incendie ou de choc électrique, ne pas exposer cet appareil sous la pluie et l'humidité.

IMPORTANT SAFETY INSTRUCTIONS

1. Read these instructions.
2. Keep these instructions.
3. Heed all warnings.
4. Follow all Instructions.
5. Do not use this apparatus near water.
6. Clean only with dry cloth.
7. Do not block any ventilation openings. Install in accordance with the manufacturer's instructions.
8. Do not install near any heat sources such as radiators, heat registers, stoves, or other apparatus (including amplifiers) that produce heat.
9. Do not defeat the safety purpose of the polarized or grounding - type plug. A polarized plug has two blades with one wider than the other. A grounding type plug has two blades and a third grounding prong. The wide blade or the third prong are provided for your safety. If the provided plug does not fit into your outlet, consult an electrician for replacement of the obsolete outlet.
10. Protect the power cord from being walked on or pinched particularly at plugs, convenience receptacles, and the point where they exit from the apparatus.
11. Only use attachments/accessories specified by the manufacturer.
12. Use only with the cart, stand, tripod, bracket, or table specified by the manufacturer, or sold with the apparatus. When a cart is used, use caution when moving the cart/apparatus combination to avoid injury from tip-over.
13. Unplug this apparatus during lightning storms or when unused for long periods of time.
14. Refer all servicing to qualified service personnel. Servicing is required when the apparatus has been damaged in any way, such as power-supply cord or plug is damaged, liquid has been spilled or objects have fallen into the apparatus, the apparatus has been exposed to rain or moisture, does not operate normally, or has been dropped.
15. The apparatus shall be used in an open area.
Cet appareil doit être utilisé dans un endroit à aire ouverte.
16. Apparatus shall not be exposed to dripping or splashing and that no objects filled with liquids, such as vases, shall be placed on apparatus.
L'appareil ne doit pas éclaboussures et aucun objet ne contenant de liquide, tel qu'un vase, ne doit être placé sur l'objet.
17. Mains plug is used as disconnect device. It shall remain readily operable and should not be obstructed during intended use. To completely disconnect the apparatus from supply mains, the mains plug of the apparatus shall be disconnected from the mains socket outlet completely.
La prise du secteur et utilisé pou déconnecter le système. La prise du secteur ne doit pas être obstruée ou doit être facilement accessible pendant son utilisation. Pour être complètement déconnecté de l'alimentation d'entrée, la prise doit être débranchée du secteur.



Fostex

FOSTEX CO.

3-2-35 Musashino, Akishima-shi, Tokyo, Japan, 196-0021