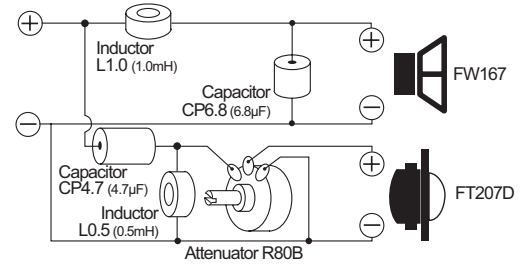
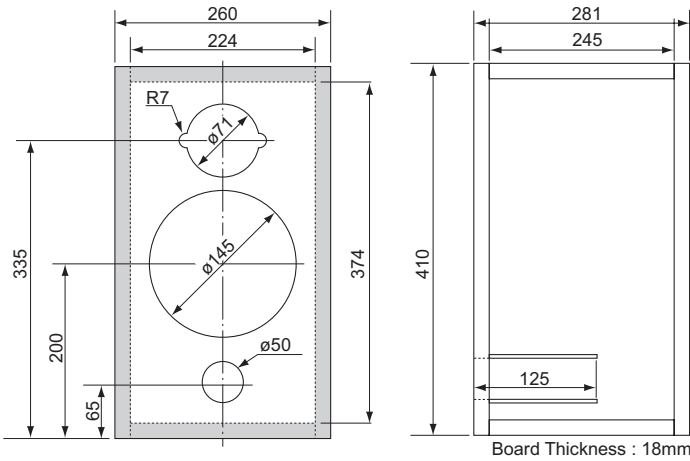


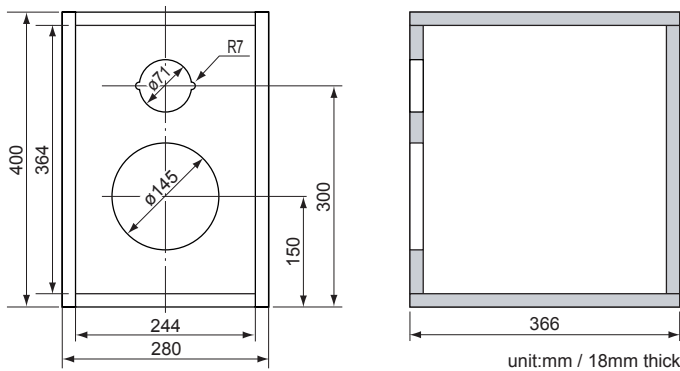
FW167

Recommended 2 way Bass Reflex Type Enclosure



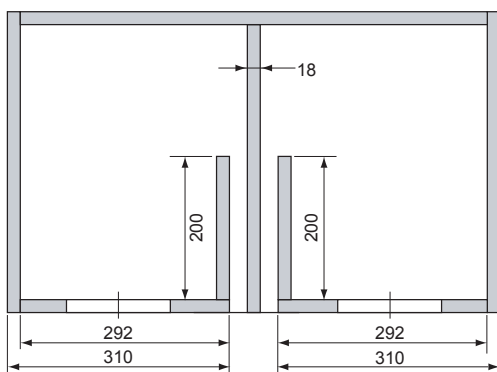
Example of FW167/FT207D, 2 way standard bass reflex type enclosure. Internal volume is 20 liters tuned to approximately 43Hz (Fb). Model 'R80B' attenuator is also used for varying tweeter level.

Recommended 2 way Closed Type Enclosure



This is an example of 2 way system using FW167/FT207D with the closed type enclosure. Internal volume is 30 liters . The same network as above bass reflex example can work properly.

2 x FW167 sub-woofer system



This is an example of sub-woofer system using FW167 x 2pcs with bass reflex type enclosure. Each cavity's internal volume is approx. 23 liters and tuned to 49Hz (Fb). Installing terminal for each, it can be driven L/R independently or center sub-woofer (4Ω) with wired in parallel.

