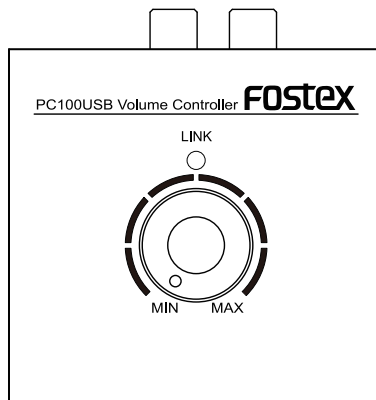



Fostex[®]

Owner's Manual

PC100USB

Volume Controller



<p>CAUTION</p> <p>RISK OF ELECTRIC SHOCK DO NOT OPEN</p>	
<p>CAUTION: TO REDUCE THE RISK OF ELECTRIC SHOCK, DO NOT REMOVE COVER (OR BACK). NO USER - SERVICEABLE PARTS INSIDE. REFER SERVICING TO QUALIFIED SERVICE PERSONNEL.</p>	



The lightning flash with arrowhead symbol, within an equilateral triangle, is intended to alert the user to the presence of uninsulated “dangerous voltage” within the product’s enclosure that may be of sufficient magnitude to constitute a risk of electric shock to persons.



The exclamation point within an equilateral triangle is intended to alert the user to the presence of important operating and maintenance (servicing) instructions in the literature accompanying the appliance.

“WARNING”

“TO REDUCE THE RISK OF FIRE OR ELECTRIC SHOCK, DO NOT EXPOSE THIS APPLIANCE TO RAIN OR MOISTURE.”

Safety instructions

- 1) Read these instructions.
- 2) Keep these instructions.
- 3) Heed all warnings.
- 4) Follow all instructions.
- 5) Do not use this apparatus near water.
- 6) Clean only with dry cloth.
- 7) Do not block any ventilation openings. Install in accordance with the manufacturer's instructions.
- 8) Do not install near any heat sources such as radiators, heat registers, stoves, or other apparatus (including amplifiers) that produce heat.
- 9) Do not defeat the safety purpose of the polarized or grounding-type plug. A polarized plug has two blades with one wider than the other. A grounding type plug has two blades and a third grounding prong. The wide blade or the third prong are provided for your safety. If the provided plug does not fit into your outlet, consult an electrician for replacement of the obsolete outlet.
- 10) Protect the power cord from being walked on or pinched particularly at plugs, convenience receptacles, and the point where they exit from the apparatus.
- 11) Only use attachments/accessories specified by the manufacturer.

- 12) Use only with the cart, stand, tripod, bracket, or table specified by the manufacturer, or sold with the apparatus. When a cart is used, use caution when moving the cart/apparatus combination to avoid injury from tip-over.



- 13) Unplug this apparatus during lightning storms or when unused for long periods of time.
- 14) Refer all servicing to qualified service personnel. Servicing is required when the apparatus has been damaged in any way, such as power-supply cord or plug is damaged, liquid has been spilled or objects have fallen into the apparatus, the apparatus has been exposed to rain or moisture, does not operate normally, or has been dropped.
- 15) Excessive sound pressure from earphones and headphones can cause hearing loss.

Table of contents

Safety instructions	E-2
Table of contents	E-3
Introduction	E-3
Overview	E-3
Supplied accessories	E-3
About power supply	E-3
FCC (U.S.A.) & ICES-003 (Canada) Information	E-3
Names and functions	
Top panel	E-4
Rear panel	E-4
Connection example	E-5
Computer requirements	E-5
Computer settings	
Output device setting	
Mac OS	E-6
Windows Vista/Windows 7	E-6
Windows XP	E-6
Detail settings	
Mac OS	E-7
Windows Vista/Windows 7	E-7
Windows XP	E-7
Computer sound volume	E-7
Specifications	E-7
Declaration of EC Directive	E-8
Fostex distributors list in Europe	E-8

Introduction

Thank you very much for purchasing the Fostex PC100USB.

To ensure the best performance, read this manual thoroughly before using the unit. Keep this manual handy for future reference.

Overview

The Fostex PC100USB is a volume controller that allows you to control the audio volume at your hand when you monitor the computer audio output through a pair of powered monitor speakers such as the Fostex PM0.4n (or an audio system) or headphones.

The PC100USB receives a digital audio signal from a USB-connected computer and converts it to an analog signal. The converted signal is then volume-controlled and fed from the analog line output connectors as well as the headphones output connector.

<Caution>:Turning the volume setting too high is strongly discouraged. Not only is it potentially harmful to your ears, it may blow out the speakers.

Supplied accessories

The following are supplied with the PC100USB.

- USB cable x 1
- Rubber feet x 4
- Owner's manual (this manual)

The following are supplied with the PC100USB.

- USB cable x 1
- RCA plug cable x 2
- Owner's manual (this manual)

After purchasing the PC100USB, check all accessories are included in the package.

About power supply

The PC100USB runs on USB bus power, so you can use it simply by connecting it to a computer with a supplied USB cable.

FCC (U.S.A.) & ICES-003 (Canada) Information

1. IMPORTANT NOTICE

This product, when installed as indicated in the instructions contained in this manual, meets FCC and ICES-003 requirements. Changes or modifications not expressly approved by Fostex Company for compliance could void the user's authority to operate the equipment. **DO NOT MODIFY THIS PRODUCT.**

2. IMPORTANT

In order to comply with FCC and ICES-003 requirements, use high quality shielded cables for connection to accessories and / or another products. If any cables are supplied with this product, they **MUST** be used. Follow all installation instructions. Failure to do so could void your FCC / ICES-003 authorization to use this product in the USA / Canada.

3. NOTE

This equipment has been tested and found to comply with the limits for a Class B digital device, pursuant to Part 15 of the FCC Rules. These limits are designed to provide reasonable protection against harmful interference in a residential installation. This equipment generates, uses and can radiate radio frequency energy and, if not installed and used in accordance with instructions, may cause harmful interference to radio communications.

However, there is no guarantee that interference will not occur in a particular installation. If this equipment does cause harmful interference to radio or television reception, which can be determined by turning the equipment off and on, the user is encouraged to correct the interference by one or more of the following measures:

- Reorient or relocate the receiving antenna.
- Increase the separation between the equipment and receiver.
- Connect the equipment into an outlet different from that to which the receiver is connected.
- Consult the dealer or an experienced radio/TV technician for help.

4. Compliance with Part 15 of FCC Rules and Canadian ICES-003.

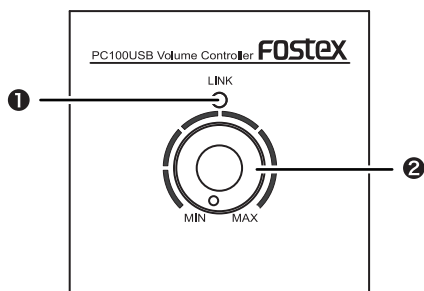
This device complies with Part 15 of the FCC Rules. Operation is subject to the following two conditions: (1) This device may not cause harmful interference, and (2) this device must accept any interference received, including interference that may cause undesired operation.

This Class B digital apparatus complies with Canadian ICES-003.

Cet appareil numérique de la classe B est conforme à la norme NMB-003 du Canada.

Names and functions

Top panel



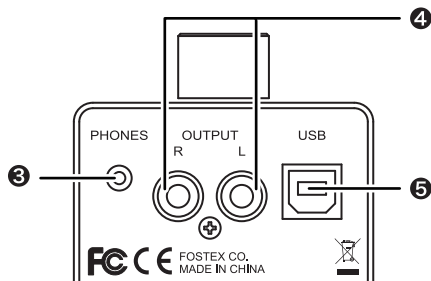
1 [LINK] indicator

It lights in green when the unit is connected to a computer with a USB cable and the computer recognizes the unit.

2 [VOLUME] control

Adjusts the output level of both the [PHONES] and [OUTPUT] connectors.

Rear panel



3 [PHONES] connector (stereo mini jack)

Connects stereo headphones.

4 [OUTPUT] (L and R) connectors (RCA jacks)

These connectors output analog audio signals. They are used to connect to a pair of powered monitor speakers such as the Fostex PM0.4n (or an audio system).

When the [PHONES] jack is plugged in, no signal is output from the [OUTPUT] (L, R) jacks.

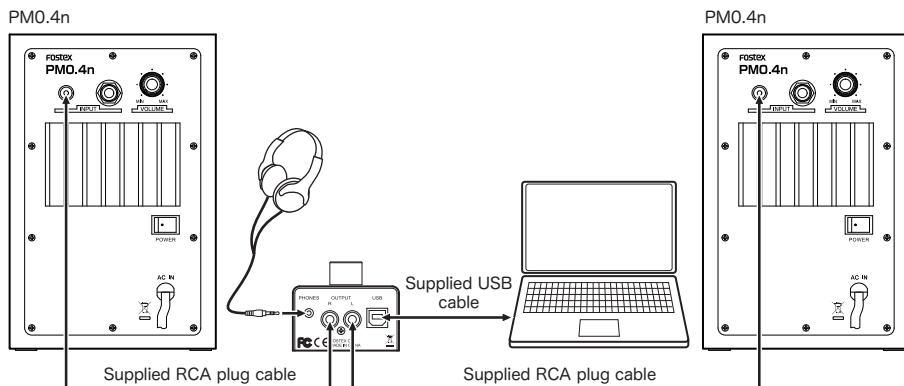
5 [USB] connector

Connects to a computer using a supplied USB cable. Via USB, the PC100USB not only receives a digital audio signal but also gets power (USB bus power) from a computer.

After USB connection is made, the computer recognizes the PC100USB and automatically adds it to the list of sound output devices.

<Note>: To get stable power supply, connect a USB cable directly to a USB port of your computer, without using a USB hub.

Connection example



<Caution>:Before you connect the PC100USB to a computer or audio equipment, turn down the output volume of the audio equipment and the PC100USB.

<Memo>:When the [PHONES] jack is plugged in, no signal is output from the [OUTPUT] (L, R) jacks.

Computer requirements

You can connect a computer that meets the following requirements.

- A USB 2.0 port is provided.
- OS: Windows XP, Windows Vista, Windows 7, Mac OS X

Computer settings

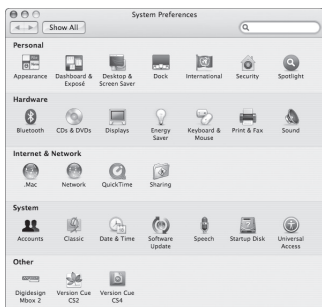
Output device setting

To receive a digital audio signal from your computer via USB, you must make audio output setting of the computer appropriately.

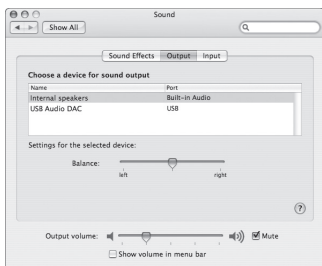
The following describes how to select the PC100USB as the sound output device of a computer for each OS.

• Mac OS

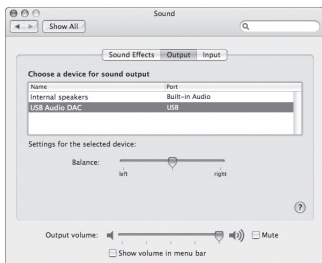
- 1) Select “System preferences” from the Apple drop-down menu.



- 2) Select “Sound” to open the “Sound” window and select “Output” tab at the top of the window.



- 3) Select “USB Audio DAC” in the list box.



• Windows Vista/Windows 7

- 1) Select “Hardware and Sound” from the Control panel.
- 2) Select “Sound” to open the “Sound” window.
- 3) Select “Playback” tab.
- 4) Select “USB Audio DAC” and click the “Set Default” button, followed by the “OK” button.



• Windows XP

- 1) Select “Sound and Audio Device Properties” from the Control panel.
- 2) Select “Audio” tab in the “Sound and Audio Device Properties” window.
- 3) Select “USB Audio DAC” as the default device for playback and click the “OK” button.



Computer settings

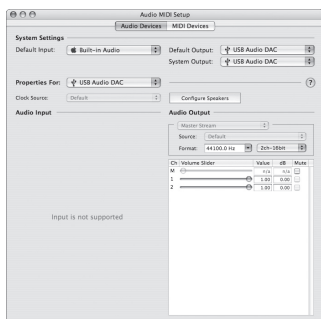
Detail settings

By making sound output settings on a computer appropriately, you may be able to monitor the sound better.

Depending on a computer OS, the setting window differs. The following briefly introduces the setting window for each OS. See the computer manual or help screen for details.

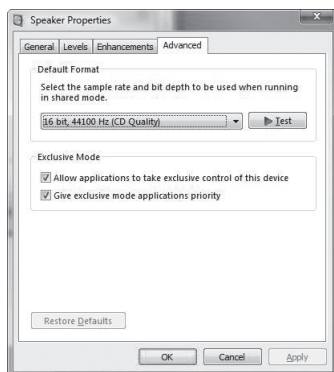
• Mac OS

The “Audio MIDI setting” utility in the Utility folder in the Application folder allows you to select the sampling rate, bit rate, levels of left and right channels, etc.



• Windows Vista/Windows 7

Clicking the “Property” button on the “Sound” window opens the window where you can select the sampling rate, etc.



• Windows XP

Clicking the “Advanced” button on the “Sound and Audio Device Properties” window opens the setting window. Note that, with Window XP, the sampling rate conforms to the setting on a software application.

Computer sound volume

By setting the sound volume playing through your computer at maximum, you can get the optimum sound quality.

Specifications

Connectors

- **[USB] connector**
 - Connector type: USB Type B
 - Sampling frequency (Hz)/Bit rate: 32k, 44.1k, 48k/16 bit
- **[OUTPUT (L, R)] connectors**
 - Connector type: RCA jack
 - Nominal output level: 6 dBV
 - Applicable load impedance: 10k ohms
- **[PHONES] connector**
 - Connector types: 3.5 mm stereo mini jack
 - Maximum output power: 5 mW + 5 mW (32 ohms load, THD < 0.5%)
 - Applicable load impedance: 32 ohms or more

General

- **Power requirement: USB bus power (5 V, 500 mA)**
- **Max power consumption: 2.5 W**
- **External dimensions: 66 (W) x 44 (H) x 70 (D) mm (excluding feet)**
- **Weight: Approximately 190 g**
- **Supplied accessories: USB 2.0 cable (Type A male to Type B male, x 1), RCA plug cables (x 2), Owner's manual (x 1)**

*Specifications and appearance are subject to change without notice for product improvement.

Declaration of EC Directive

This equipment is compatible with the EMC Directive (2004/108/EC) - Directive on approximation of member nation's ordinance concerning the electromagnetic compatibility and with the Low Voltage Directive (73/23/EEC) - Directive on approximation of member nation's ordinance concerning electric equipment designed to be used within the specified voltage range.

The Affect of Immunity on This Equipment

The affect of the European Specification EN61000-6-1 (coexistence of electromagnetic waves - common immunity specification) on this equipment are as shown below.

In the electrical fast transient/burst requirements, surge, conducted disturbances by radio-frequency fields, power frequency magnetic field, radiate electromagnetic field requirements and static electricity discharging environment, this could be affected by generation of noise in some cases.

FOSTEX DISTRIBUTORS LIST IN EUROPE

* Including non-EU countries (as of March 2011)

<AUSTRIA>

NAME: Mega Audio GmbH
ADD: Stromberger Str. 32, D-55411 Bingen, Germany
TEL: (+49) 6721-94330, FAX: (+49) 6721-32046

<BELGIUM>

NAME: General Audio
ADD: Raymond Pelgrimslaan 101, B-1702 Groot-Bijgaarden, Belgium
TEL: (+32) 2-4630650, FAX: (+32) 2-4661500

<BULGARIA>

NAME: Shark Art
ADD: 15 Hristo Popovich Str., Varna 9000, Bulgaria
TEL: (+359) 52-600172, FAX: (+359) 52-250578

<CZECHO>

NAME: Praha Music Center spol s.r.o.
ADD: Ocelarska 937/39, Praha 9, 190 00, Czecho
TEL: (+420) 226-011-111, FAX: (+420) 226-011-112

<DENMARK>

NAME: Benum Nordic A/S
ADD: Meterbuen 18, Skovlunde, 2740 Denmark
TEL: (+45) 4451-8900, FAX: (+45) 4451-8911

<FINLAND>

NAME: Norettron Oy Audio
ADD: P. O. Box 22, FIN-02631 Espoo, Finland
TEL: (+358) 9-5259330, FAX: (+358) 9-52593352

<FRANCE>

NAME: Sennheiser France
ADD: 128 bis, avenue Jean-Jaures, 94851 Ivry-sur-Seine Cedex, France
TEL: (+33) 1 4987 0300, FAX: (+33) 1 4987 0324

<GERMANY>

NAME: Mega Audio GmbH
ADD: Stromberger Str. 32, D-55411 Bingen, Germany
TEL: (+49) 6721-94330, FAX: (+49) 6721-32046

<GREECE>

NAME: Bon Studio S. A.
ADD: 6 Zaimi Street, Exarchia, 106.83 Athens, Greece
TEL: (+30) 210-3809-605, 606, 607, 608
FAX: (+30) 210-3845-755, 210-3827-868

<HUNGARY>

NAME: ATEC Hungary Kft
ADD: H-110/ Budapest, Fogado u. 3, Hungary
TEL: (+36) 1-4319005, FAX: (+36) 1-4319006

<ICELAND>

NAME: I. D. elrf. electronic Ltd.
ADD: ARMULA 38 108 REYKJAVIK, ICELAND
TEL: (+354) 588 5010, FAX: (+354) 588 5011

<ITALY>

NAME: Proel S. p. A.
ADD: Zona Via Alla Ruenia, 37/43 64027 - Sant'Omero (Teramo), Italy
TEL: (+39) 0861-81241, FAX: (+39) 0861-887862

<THE NETHERLANDS>

NAME: IEMKE ROOS AUDIO B. V.
ADD: Kuiperbergweg 20, 1101 AG Amsterdam, The Netherlands
TEL: (+31) 20-697-2121, FAX: (+31) 20-697-4201

<NORWAY>

NAME: Siv. Ing. Benum AS
ADD: P. O. Box 145, Vinderen, 0319 Oslo, Norway
TEL: (+47) 2213 9900, FAX: (+47) 2214 8259

<POLAND>

NAME: Mega Music Spolka z o.o
ADD: Ul. Lesna 15, 81-876 Sopot, Poland
TEL: (+48) 58-551-18-82, FAX: (+48) 58-551-18-72

<SPAIN>

NAME: Letusa S. A.
ADD: C/Laguna 10, 28923 Alcorcon, Madrid, Spain
TEL: (+34) 91-4862800, 91-4470898, FAX: (+34) 91-6414597

<SWEDEN>

NAME: Benum Nordic A/S
ADD: Aldermansvagen 17, 171 48 Solna, Sweden
TEL: (+46) 8 207710

<SWITZERLAND>

NAME: Audio Bauer Pro AG
ADD: Bernerstrasse-Nord 182, CH-8064 Zurich, Switzerland
TEL: (+41) 1-4323230, FAX: (+41) 1-4326558

<UK>

NAME: SCV London
ADD: 40 Chigwell Lane, Oakwood Hill Industrial Estate, Loughton, Essex IG10 3NY U. K.
TEL: (+44) 20-8418-0778, FAX: (+44) 20-8418-0624

Fostex FOSTEX CO.

3-2-35, Musashino, Akishima-shi, Tokyo Japan, 196-0021

© PRINTED IN CHINA July 2011 8289677100 542338