



# T500AMkII

## Features

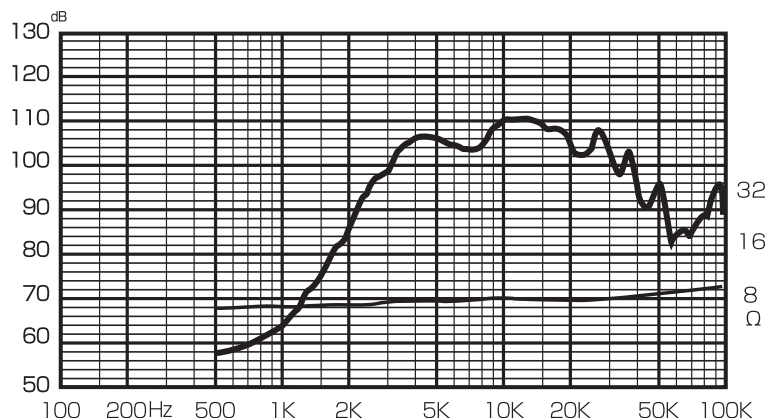
- Pure magnesium diaphragm having superior internal loss and less unpleasant sound inherent in metal material realizes the super high frequency reproduction.
- Stronger magnetic circuit using two pieces of  $\varnothing 40\text{mm}$  alnico magnets.
- High rigidity Silver-Copper alloy wire is used for the voice coil, and  $\varnothing 1.4\text{mm}$  of the same material wire is used for internal connections.
- Newly designed horn with new cutoff frequency is made of ultra-precision cut solid brass.
- Copper terminal & coated plate/pole realize the super-low distortion current.
- Tungsten diaphragm ring & washers are employed to largely reduced vibrations.



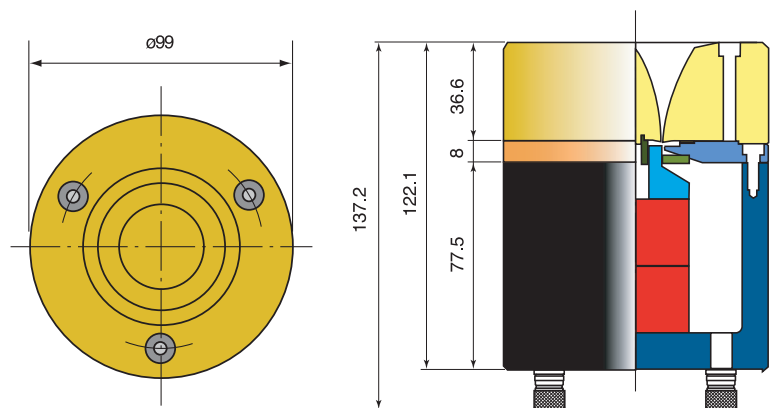
## Specifications

Impedance	:	8 $\Omega$
Reproduction Frequency Response	:	4 kHz - 45kHz
S.P.L.	:	110 dB/W(m)
Music Power	:	50 W
Cutoff Frequency	:	3.5 kHz
Recommended Cross-over Frequency	:	more than 7kHz (12dB/Oct.)
Magnet Weight	:	480 g / xx lb
Net Weight	:	5,000 g / xx lb

## Frequency Response / Impedance



## Dimensions & Mounting Information



Overall Diameter	:	99 mm / 3.9 in
Depth	:	137.2 mm / 5.4 in